

TD-800/200 EX

NEW



Low profile in-line mixed flow duct fan manufactured in antistatic plastic material and fitted with single-phase explosion proof motor 230V-50Hz, increase safety Ⓢ II2G EExe IIT3.

ⓈII2G EExeIIT3
EC-type Examination Certificate
nr. LOM 08ATEX2052 X

TD-800/200 EX

In-Line duct fans

Technical characteristics

	Motor type EExe	Speed (r.p.m.)	Maximum power absorbed (W)	Maximum absorbed current (A)	Airflow at free discharge (m³/h)	Maximum operating temperature (°C)	Sound pressure level* (dB(A))	Ø Duct (mm)	Weight (kg)
TD-800/200 EX	IIT3	2450	130	0,54	1020	40	44	200	5

* Radiated sound pressure level measured at 3 m in free field conditions with rigid ducts at the inlet and at the outlet.

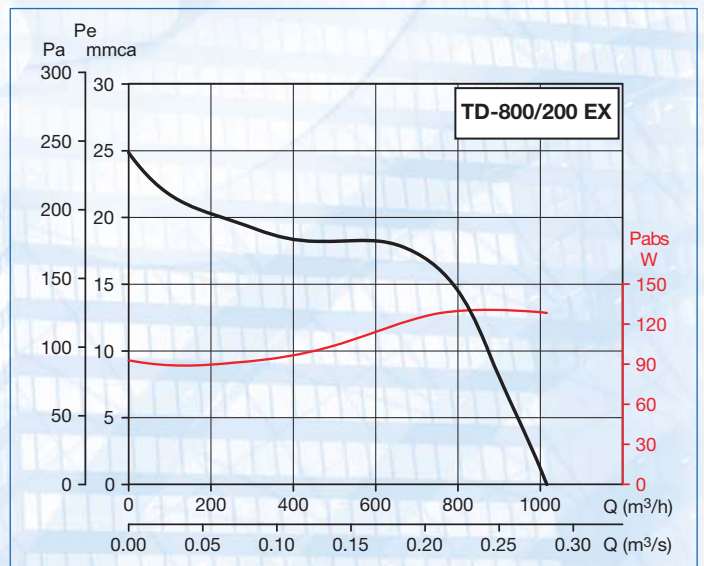
Acoustic characteristics

Sound power spectrum in dB(A) at the fan inlet and outlet, at 3 working points of the performance curve. (A: maximum air volume)

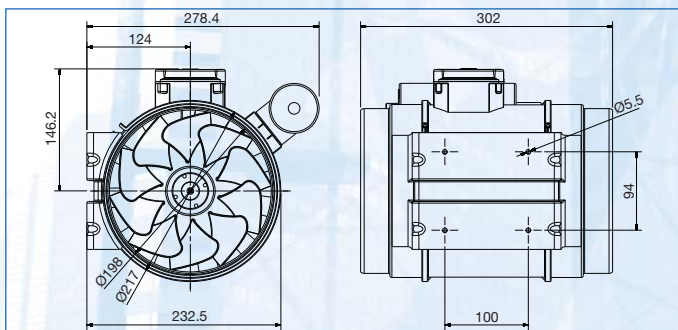
		63	125	250	500	1000	2000	4000	8000	LwA	LpA
Inlet	0 Pa	27	43	53	61	69	69	65	56	73	53
	80 Pa	29	43	55	62	69	70	66	56	74	53
	160 Pa	39	49	69	71	74	70	63	55	78	57
Outlet	0 Pa	50	50	53	64	69	71	66	56	74	54
	80 Pa	44	45	54	66	70	71	67	57	75	55
	160 Pa	39	48	68	72	75	71	64	55	78	58
Radiated	0 Pa	7	38	37	44	58	61	52	39	63	43
	80 Pa	9	38	39	45	58	62	53	39	64	43
	160 Pa	19	44	53	54	63	62	50	38	66	46

Performance curves

- Q = Air volume in, m³/h and m³/s.
- Ps = Static pressure in mmWG and Pa.
- Dry air at 20°C and 760 mmHg.
- Air flow data in accordance with the following standards: UNE 100-212-89, BS 848, Part 1; AMCA 210-85 and ASHRAE 51-1985.



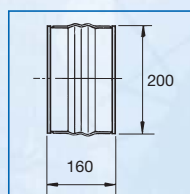
Dimensions (mm)



Specific accessory for TD-800/200 EX



ACOPEL EX-200/160
Proof explosion flexible connection



For more information see mounting accessories.