



## PLATE MOUNTED AXIAL FLOW FANS

### HXM Series

HXM

Plate mounted axial flow fans



Configuration model HXM-400

Provided with cable for connection to the electrical supplies

HXM-400 model terminal box



Motor protected from corrosion by epoxy-polyester paint finish. Cable to ease connection to electrical supplies (except for HXM-400 model)



Wiring terminal box including the capacitor

The HXM plate mounted axial flow fans are manufactured from pressed galvanised steel and protected from **corrosion by a beige epoxy-polyester paint finish.**

All models include a steel finger proof guard as standard mounted to the inlet side of the fan. Impellers are manufactured from galvanised steel sheet and finished with black polyester paint.

#### Motor

Single phase speed controllable motor 230V-50/60Hz for usage in environments up to +40°C, equipped with thermal protection HXM-200 to HXM-350.

Shaded pole asynchronous induction motor. IP44, Class B insulation, with **sleeve bearings.** Flexible **cable (length: 50cm)** for connection to the electrical supplies and ball bearings greased for life.

HXM-400: External rotor motor, IP44, Class F insulation.

Provided with a wiring terminal box.

#### Additional Information

Standard air direction: form (A) configuration (Motor over Impeller).

### APPLICATIONS



Warehouses



Workshops



Commercial premises



Cafes, bars and small restaurants



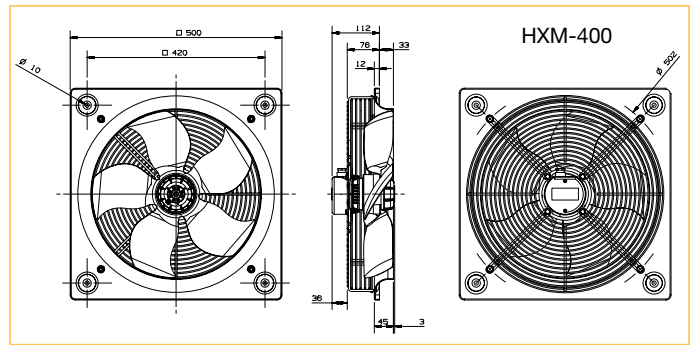
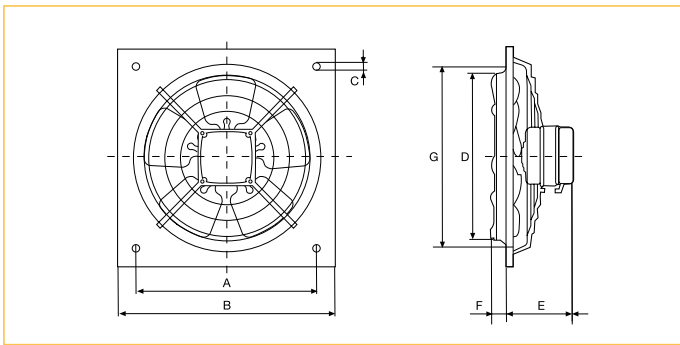
Wine cellars and basements

### Technical characteristics

Before making any electrical connection ensure that the voltage and frequency of the mains electrical supply matches that of the fan data plate label.

Model	Speed (r.p.m.)	Maximum absorbed power (W)	Maximum absorbed current (A)	Maximum air volume (m <sup>3</sup> /h)	Sound pressure level at 3 m (dB(A))	Weight (kg)
HXM-200	1300	16	0,08	500	36	1,8
HXM-250	1300	22	0,10	900	42	2,2
HXM-300	1300	34	0,15	1400	48	3,2
HXM-350	1300	40	0,17	1800	53	4,3
HXM-400	1065	170	0,70	3400	57	7,3

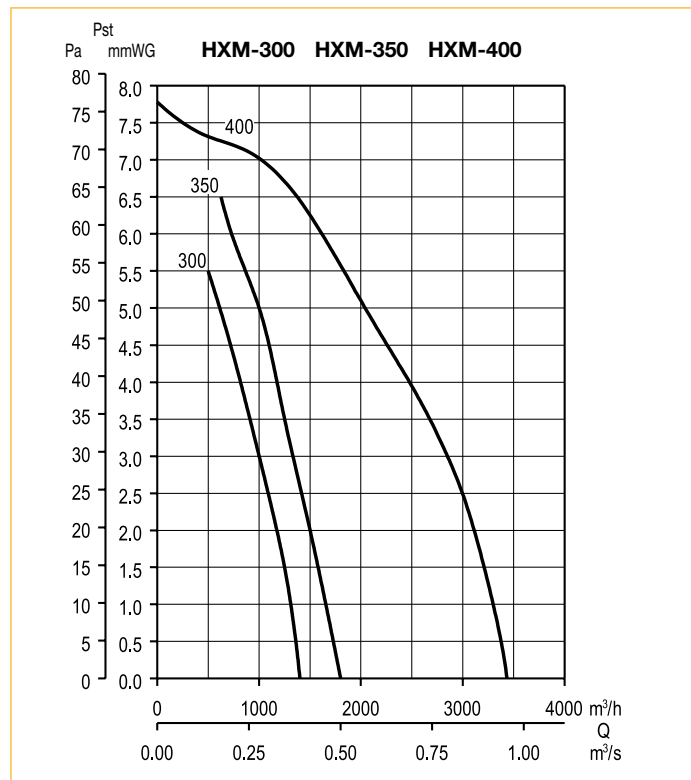
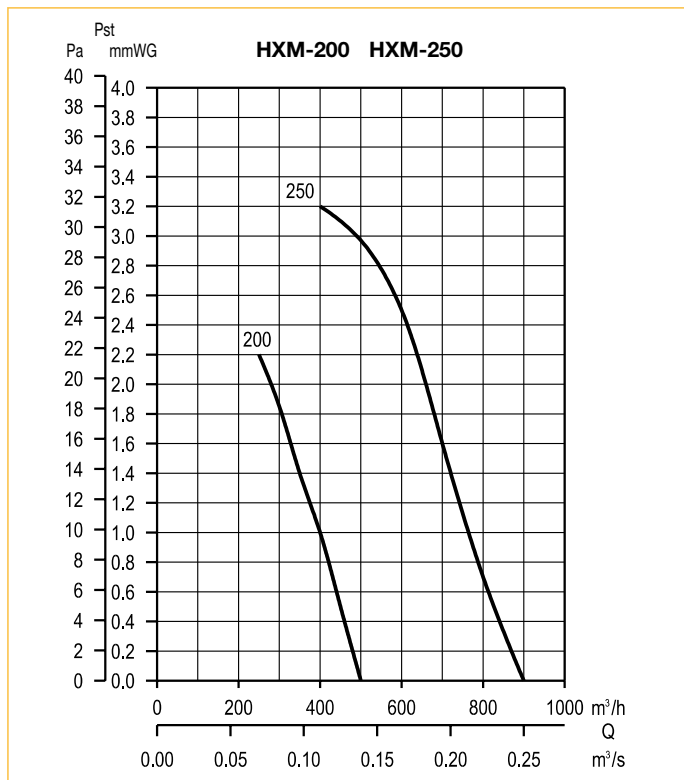
## ■ Dimensions (mm)



Model	A	B	Ø C	Ø D	E	F	Ø G
HXM-200	222	266	9	205	88	19	211
HXM-250	275,5	333	9	255	99	31	261
HXM-300	336,5	400	10,5	305	99	35,5	311
HXM-350	390	465	10,5	361	106	34,5	371

## ■ Performance curves

- Q = Air volume in, m<sup>3</sup>/hr and m<sup>3</sup>/s.
- Pst = Static pressure in mmWG and Pa.
- Dry air at 20°C and 760 mmHg.
- Performance data in accordance with ISO 5801 and AMCA 210-99 Standards.



## ■ Mounting accessories



Model	Back draft Shutters	
	Plastic	Metal
HXM-200	PER - 200 W	PER - 250 CN
HXM-250	PER - 250 W	PER - 250 CN
HXM-300	PER - 355 W	PER - 355 CN
HXM-350	PER - 355 W	PER - 355 CN
HXM-400	PER - 400 W	PER - 400 CN

## ■ Electrical accessories



**REB**  
Electronic,  
single phase  
speed  
controller



**RMB**  
Auto transformer,  
single phase  
speed controller